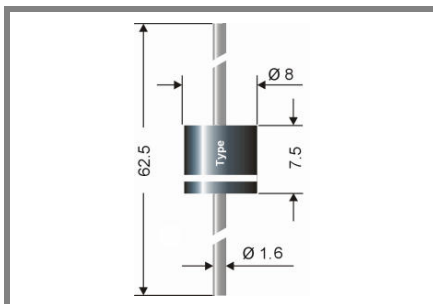


HE15FATL...HE15FGTL



Axial lead diode

Type	Repetitive peak reverse voltage V_{RRM} V	Surge peak reverse voltage V_{RSM} V	Max. reverse recovery time $I_F = 0,5$ A $I_R = 1$ A $I_{RR} = 0,25$ A t_{rr} ns	Max. forward voltage $V_F^{(2)}$
HE 15FATL	50	50	200	0,82
HE 15FBTL	100	100	200	0,82
HE 15FDTL	200	200	200	0,82
HE 15FGTL	400	400	200	0,84

High efficiency fast silicon rectifier diode

HE15FATL...HE15FGTL

Forward Current: 15 A

Reverse Voltage: 50 to 400 V

Preliminary Data

Features

- Max. solder temperature: 260°C
- Plastic material has UL classification 94V-0

Mechanical Data

- Plastic case: 8 x 7,5 [mm]
- Weight approx.: 2,0g
- Terminals: plated terminals solderable per MIL-STD-750
- Mounting position: any
- Standard packaging: 500 pieces per ammo or 1000 pieces per reel

1) Valid, if leads are kept at T_A at a distance of 10 mm from case

2) $I_F = 5$ A, $T_j = 25$ °C

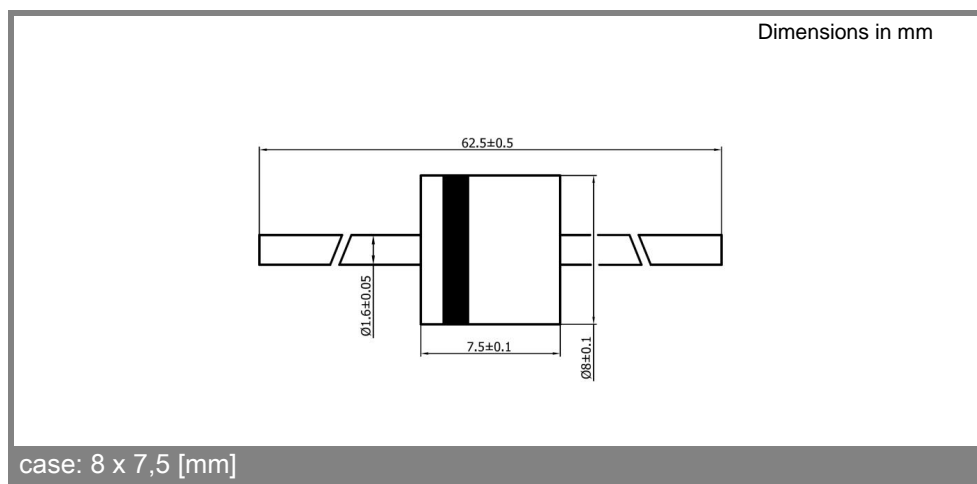
3) $T_A = 25$ °C

4) Thermal resistance from junction to lead/terminal at a distance 0 mm from case

5) Max. junction temperature $T_j \leq 200$ °C in bypass mode / DC forward mode

Absolute Maximum Ratings		$T_A = 25$ °C, unless otherwise specified	
Symbol	Conditions	Values	Units
I_{FAV}	Max. averaged fwd. current, R-load, $T_A = 50$ °C ¹⁾	15	A
I_{FRM}	Repetitive peak forward current $f > 15$ Hz ¹⁾	85	A
I_{FSM}	Peak forward surge current 50 Hz half sinus-wave ³⁾	700	A
i^2t	Rating for fusing, $t < 10$ ms ³⁾	2450	A ² s
R_{thA}	Max. thermal resistance junction to ambient ¹⁾		K/W
R_{thL}	Max. thermal resistance junction to terminals ⁴⁾	<1,8	K/W
T_j	Operating junction temperature	-50...+175 ($T_j \leq 200$ °C ⁵⁾)	°C
T_s	Storage temperature	-50...+175	°C

Characteristics		$T_A = 25$ °C, unless otherwise specified	
Symbol	Conditions	Values	Units
I_R	Maximum leakage current, $T_j = 25$ °C; $V_R = V_{RRM}$	<25	µA
	$T_j =$ °C; $V_R = V_{RRM}$		
C_J	Typical junction capacitance (at MHz and applied reverse voltage of V)	-	pF
Q_{rr}	Reverse recovery charge ($U_R = V$; $I_F = A$; $dI_F/dt = A/ms$)	-	µC
E_{RSM}	Non repetitive peak reverse avalanche energy ($I_R = mA$; $T_j =$ °C; inductive load switched off)	-	mJ



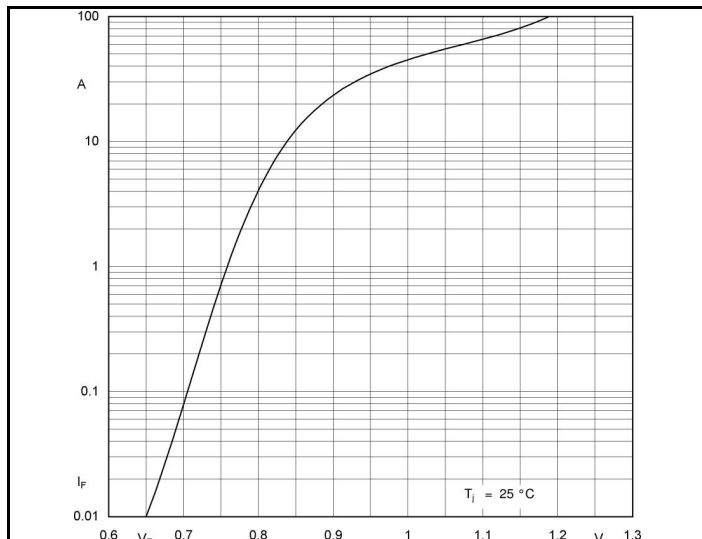


Fig. 1, Forward characteristics (typical values)

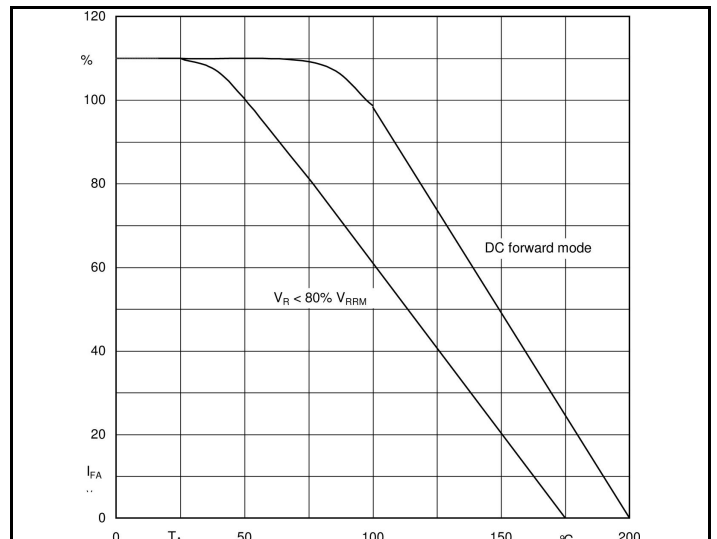


Fig. 2, Rated forward current vs. ambient temperature ¹⁾

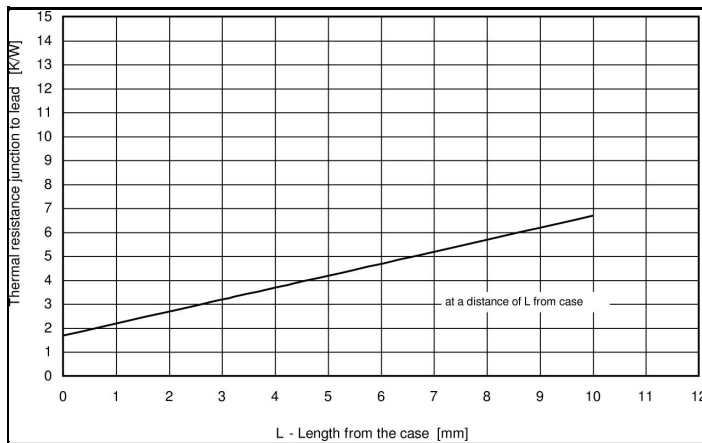


Fig. 3, Thermal resistance versus distance from case