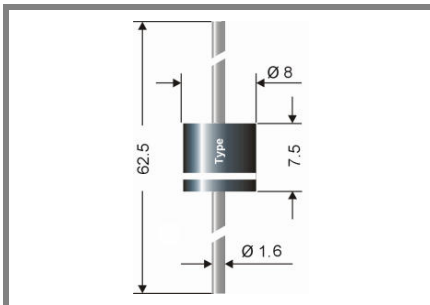


P 800 ATL ... P 800 STL



Axial lead diode

Standard silicon rectifier diodes

P 800 ATL ... P 800 STL

Forward Current: 8 A

Reverse Voltage: 50 to 1200 V

Preliminary Data

Features

- Max. solder temperature: 260 °C
- Plastic material has UL classification 94V-0

Mechanical Data

- Plastic case: 8 x 7,5 [mm]
- Weight approx.: 1,9 g
- Terminals: plated terminals solderable per MIL-STD-750
- Mounting position: any
- Standard packaging: 500 pieces per ammo or 1000 pieces per reel

1) Valid, if leads are kept at T_A at a distance of 10 mm from case

2) $I_F = 5 A$, $T_j = 25 °C$

3) $T_A = 25 °C$

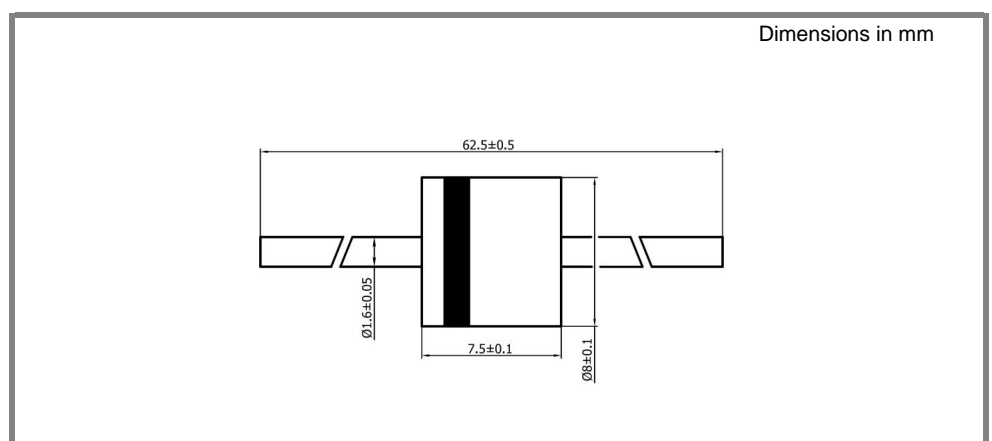
4) Thermal resistance from junction to lead/terminal at a distance 0 mm from case

5) Max. junction temperature $T_j \leq 200 °C$ in bypass mode / DC forward mode

Type	Repetitive peak reverse voltage V_{RRM} V	Surge peak reverse voltage V_{RSM} V	Max. reverse recovery time $I_F = - A$ $I_R = - A$ $I_{RR} = - A$ t_{rr} ns	Max. forward voltage $V_F^{2)}$
P800A TL	50	50	-	1,0
P800B TL	100	100	-	1,0
P800D TL	200	200	-	1,0
P800G TL	400	400	-	1,0
P800J TL	600	600	-	1,0
P800K TL	800	800	-	1,0
P800M TL	1000	1000	-	1,0
P800S TL	1200	1200	-	1,0

Absolute Maximum Ratings		$T_A = 25 °C$, unless otherwise specified	
Symbol	Conditions	Values	Units
I_{FAV}	Max. averaged fwd. current, R-load, $T_A = 50 °C$ 1)	8	A
I_{FRM}	Repetitive peak forward current $f > 15 Hz$ 1)	65	A
I_{FSM}	Peak forward surge current 50 Hz half sinus-wave 3)	400	A
i^2t	Rating for fusing, $t < 10 ms$ 3)	800	A ² s
R_{thA}	Max. thermal resistance junction to ambient 1)		K/W
R_{thL}	Max. thermal resistance junction to terminals 4)	1,8	K/W
T_j	Operating junction temperature	- 50 ... + 175 ($T_j \leq 200 °C$ in bypass mode 5))	°C
T_s	Storage temperature	- 50 ... + 175	°C

Characteristics		$T_A = 25 °C$, unless otherwise specified	
Symbol	Conditions	Values	Units
I_R	Maximum leakage current, $T_j = 25 °C$; $V_R = V_{RRM}$	<25	µA
	$T_j = °C$; $V_R = V_{RRM}$		
C_j	Typical junction capacitance (at MHz and applied reverse voltage of V)	-	pF
Q_{rr}	Reverse recovery charge ($U_R = V$; $I_F = A$; $di_F/dt = A/ms$)	-	µC
E_{RSM}	Non repetitive peak reverse avalanche energy ($I_R = mA$; $T_j = °C$; inductive load switched off)	-	mJ



case: 8 x 7,5 [mm]

