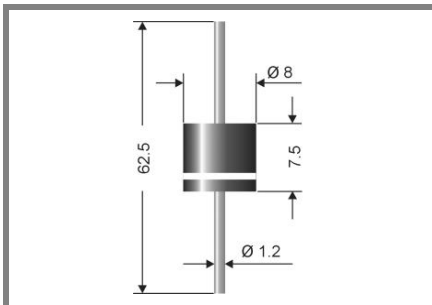


# SBH 1520 ... SBH 1545



**Axial lead diode**

Type	Repetitive peak reverse voltage	Surge peak reverse voltage	Max. reverse recovery time	Max. forward voltage
	$V_{RRM}$ V	$V_{RSM}$ V	$I_F = -A$ $I_R = -A$ $I_{RR} = -A$ $t_{rr}$ ns	$V_F^{(2)}$
SBH 1520	20	20	-	0,48
SBH 1530	30	30	-	0,48
SBH 1540	40	40	-	0,48
SBH 1545	45	45	-	0,48

## High temperature schottky barrier diodes

### SBH 1520 ... SBH 1545

**Forward Current: 15 A**

**Reverse Voltage: 20 to 45 V**

### Features

- Max. solder temperature: 260°C
- Plastic material has UL classification 94V-0
- Electrostatic discharge immunity test IEC 1000-4-2 (C=150 pF, R=150 Ohm):voltage class 20 kV

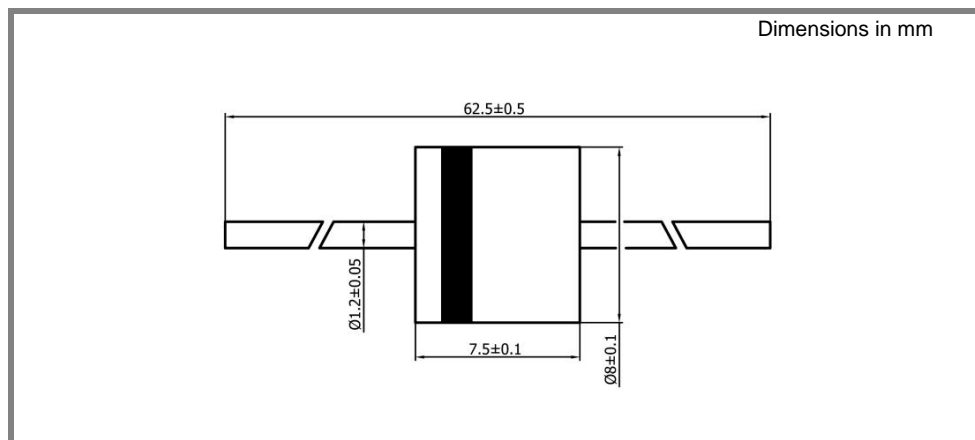
### Mechanical Data

- Plastic case: 8 x 7,5 [mm]
- Weight approx.: 1,5 g
- Terminals: plated terminals solderable per MIL-STD-750
- Mounting position: any
- Standard packaging: 500 pieces per ammo or 1000 pieces per reel

- 1) Valid, if leads are kept at  $T_A$  at a distance of 10 mm from case
- 2)  $V_F < 0,48V$  @  $I_F = 5 A$  and  $V_F < 0,56 V$  @  $I_F = 15 A$  ( $T_A = 25$  °C)
- 3)  $T_A = 25$  °C
- 4) Thermal resistance from junction to lead/terminal at a distance 0 mm from case
- 5) Max. junction temperature  $T_j \leq 200$  °C in reverse mode  $V_R \leq 50\% V_{RRM}$  and in bypass mode / DC forward mode

Absolute Maximum Ratings		$T_A = 25$ °C, unless otherwise specified	
Symbol	Conditions	Values	Units
$I_{FAV}$	Max. averaged fwd. current, R-load, $T_A = 50$ °C <sup>1)</sup>	15	A
$I_{FRM}$	Repetitive peak forward current $f > 15$ Hz <sup>1)</sup>	60	A
$I_{FSM}$	Peak forward surge current 50 Hz half sinus-wave <sup>3)</sup>	350	A
$i^2t$	Rating for fusing, $t < 10$ ms <sup>3)</sup>	612	A <sup>2</sup> s
$R_{thA}$	Max. thermal resistance junction to ambient <sup>1)</sup>		K/W
$R_{thL}$	Max. thermal resistance junction to terminals <sup>4)</sup>	3	K/W
$T_j$	Operating junction temperature	- 50 ... + 185 ( $T_j \leq 200$ °C in reverse mode $V_R \leq 50\% V_{RRM}$ <sup>5)</sup> )	°C
$T_s$	Storage temperature	- 50 ... + 200	°C

Characteristics		$T_A = 25$ °C, unless otherwise specified	
Symbol	Conditions	Values	Units
$I_R$	Maximum leakage current, $T_j = 25$ °C; $V_R = V_{RRM}$	<50	µA
	$T_j = 100$ °C; $V_R = V_{RRM}$	<5	mA
$C_J$	Typical junction capacitance (at MHz and applied reverse voltage of V)	-	pF
$Q_{rr}$	Reverse recovery charge ( $U_R = V$ ; $I_F = A$ ; $dI_F/dt = A/ms$ )	-	µC
$E_{RSM}$	Non repetitive peak reverse avalanche energy ( $I_R = mA$ ; $T_j =$ °C; inductive load switched off)	-	mJ



case: 8 x 7,5 [mm]

