



SEMIPACK® 1

Rectifier Diode Modules

SKKD 46/16 G6

Preliminary Data

Features

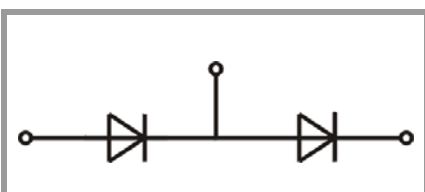
- Heat transfer through aluminium oxide ceramic isolated metal baseplate
- Hard soldered joints for high reliability
- UL recognized, file no. E63532

Typical Applications

- Non-controllable rectifiers for AC/AC converters
- Line rectifiers for transistorized AC motor controllers
- Field supply for DC motors

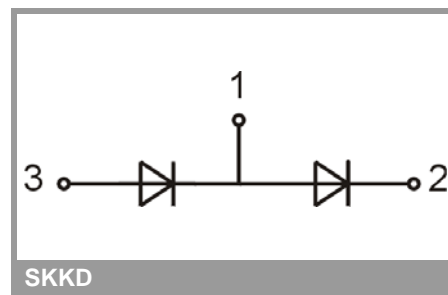
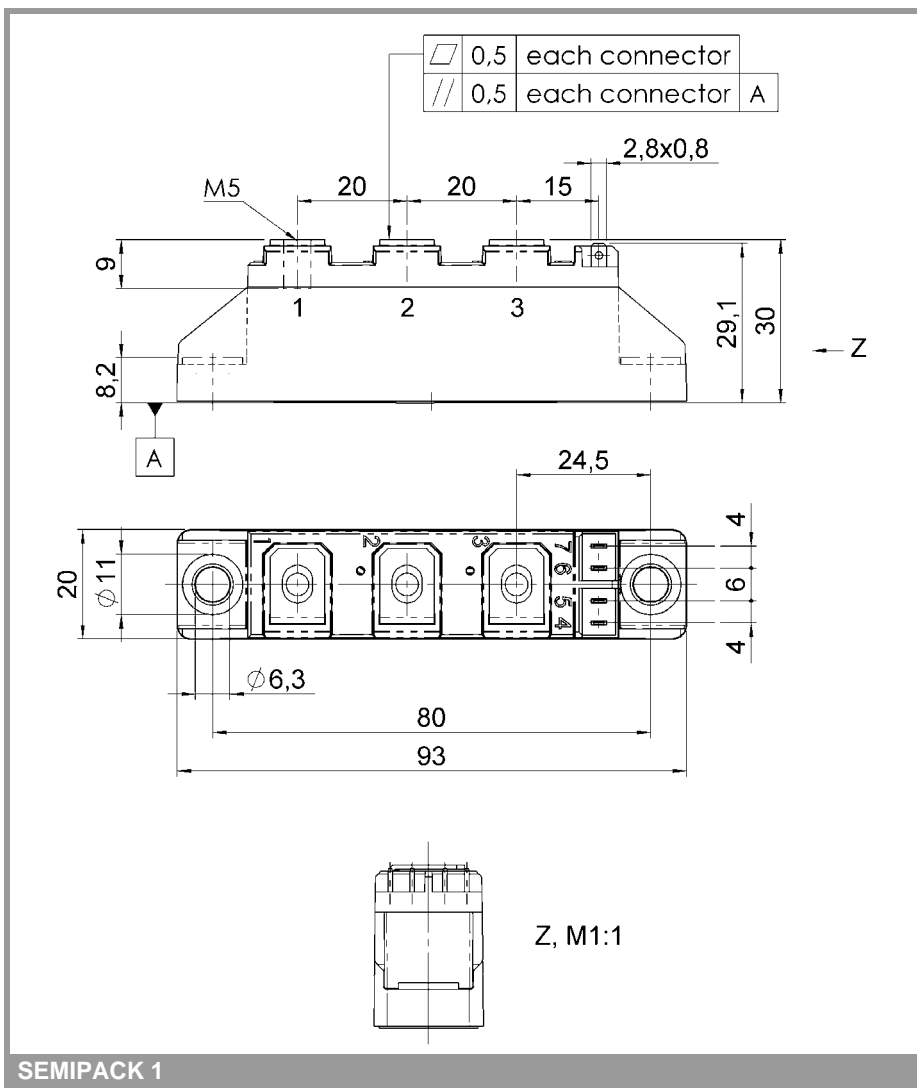
Absolute Maximum Ratings				
Symbol	Conditions		Values	Unit
Rectifier Diode				
I_{FAV}	sin. 180°	$T_c = 85\text{ °C}$	57	A
		$T_c = 100\text{ °C}$	43	A
I_{FSM}	10 ms	$T_j = 25\text{ °C}$	700	A
		$T_j = 130\text{ °C}$	600	A
i^2t	10 ms	$T_j = 25\text{ °C}$	2450	kA ² s
i^2t		$T_j = 130\text{ °C}$	1800	kA ² s
V_{RSM}			1700	V
V_{RRM}			1600	V
T_j			-40 ... 130	°C
Module				
T_{stg}			-40 ... 125	°C
V_{isol}	a.c.; 50 Hz; r.m.s.	1 min	3000	V
		1 s	3600	V

Characteristics						
Symbol	Conditions		min.	typ.	max.	Unit
Diode						
V_F	$T_j = 25\text{ °C}, I_F = 150\text{ A}$			1.25	1.35	V
$V_{(TO)}$	$T_j = 130\text{ °C}$			0.75	0.83	V
r_T	$T_j = 130\text{ °C}$			5.00	5.50	mΩ
I_{RD}	$T_j = 130\text{ °C}, V_{RD} = V_{RRM}$					mA
$R_{th(j-c)}$	cont.	per chip			0.47	K/W
		per module			0.235	K/W
$R_{th(j-c)}$	sin. 180°	per chip			0.49	K/W
		per module			0.245	K/W
Module						
$R_{th(c-s)}$	chip			0.22		K/W
	module			0.11		K/W
M_s	to heatsink M5		4.25		5.75	Nm
M_t	to terminals M5		2.55		3.45	Nm
a					5 * 9,81	m/s ²
w				75		g



SKKD

SKKD 46/16 G6



SEMIPACK 1

This technical information specifies semiconductor devices but promises no characteristics. No warranty or guarantee expressed or implied is made regarding delivery, performance or suitability.